

# Hexagon

chair

Product Details Sheet



TSIKLIÓTI  
individual designs



## Delectus collection

Delectus collection consists of different models, upholstery styles, metal and wooden parts, colors and fabrics. The combination of all the elements can create thousands of different products adapting to your personality.

A captivated hexagonal shape with round edges, highlights its remarkable and sophisticated character. An accent piece for a contemporary interior style.

# Hexagon

chair



## Available Base Types



Bend



Convex



Axis



Oxbow

## Product Details

### Product category

Upholstered chair with metal or wooden base

### Use

Indoor

### Materials

Veneer back with 30mm foam, plywood seat plate with 50mm of foam.

Upholstered seat and back with piping closing and metal or wooden base.

Bases with plastic gliders.

### Upholstery

Available in a variety of fabric categories and colors.

### Production time

Unique product - Made to order (4-6 weeks)

### Upholstery cover material specifications

Fabric usage: 1.5 meter

Leather usage: 3 m<sup>2</sup>

COM must be approved by TSIKLIOTI craftsmen to ensure suitability for upholstery.

### Product Dimensions

H: 82cm / D: 55cm / W: 50cm

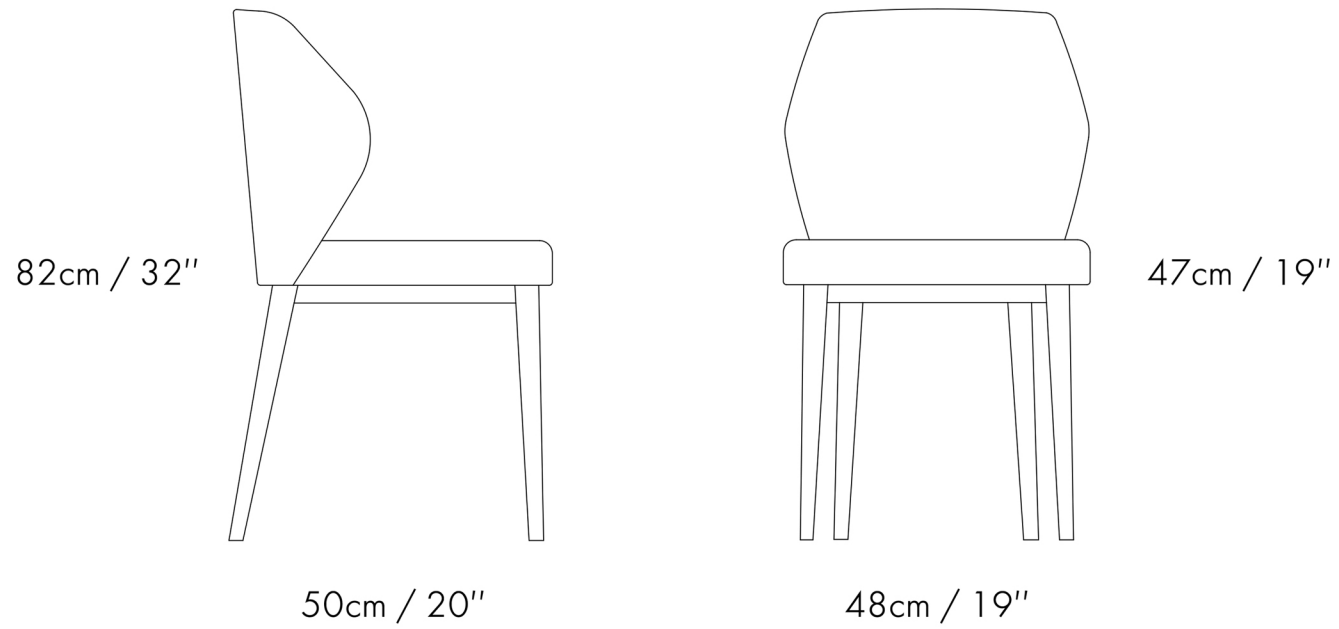
Seat height: 47cm

### Packaging dimensions

H: 90cm / D: 60cm / W: 60cm

Weight:

Product 14kg / Including packaging 16kg







TSIKLIÓTI  
individual designs



TSIKLIÓTI  
individual designs

# Contact

3 El. Venizelou Str. Thessaloniki  
+302310 227433 | [sales@tsiklioti.com](mailto:sales@tsiklioti.com)  
[www.tsiklioti.com](http://www.tsiklioti.com)